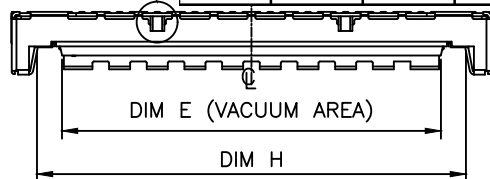


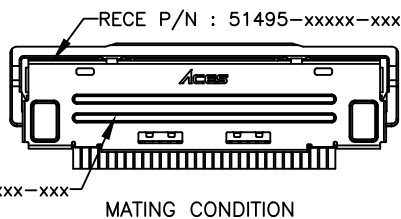
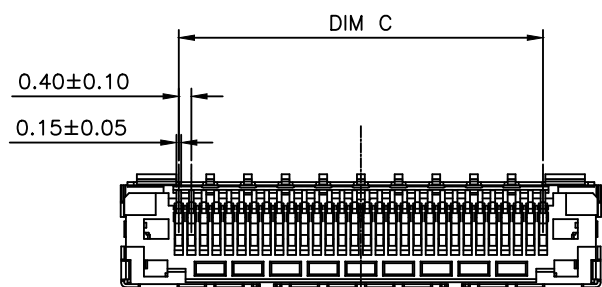
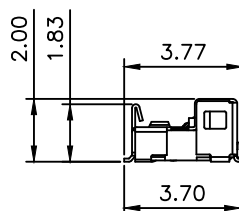
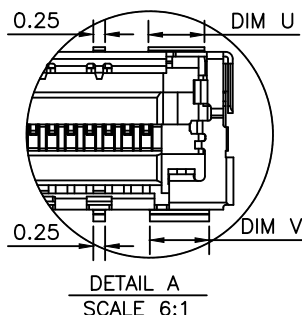
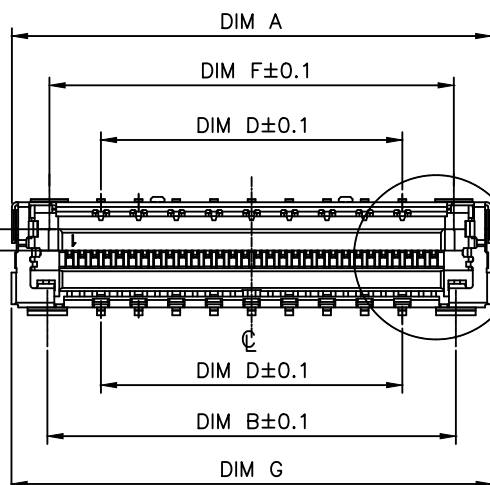


QUENITY
20,30Pin: 2
40Pin: 4

CKT	DIM A	DIM B	DIM C	DIM D	DIM E	DIM F	DIM G	DIM H	DIM U	DIM V
20	11.27	9.41	7.60	7.20	8.07	9.28	11.27	9.65	0.79	0.86
30	15.27	13.01	11.60	9.60	12.07	12.88	15.27	13.65	1.19	1.26
40	19.27	17.01	15.60	14.40	16.07	16.88	19.27	17.65	1.19	1.26

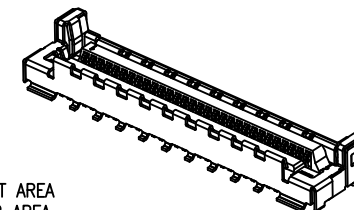


0.68(VACUUM AREA)



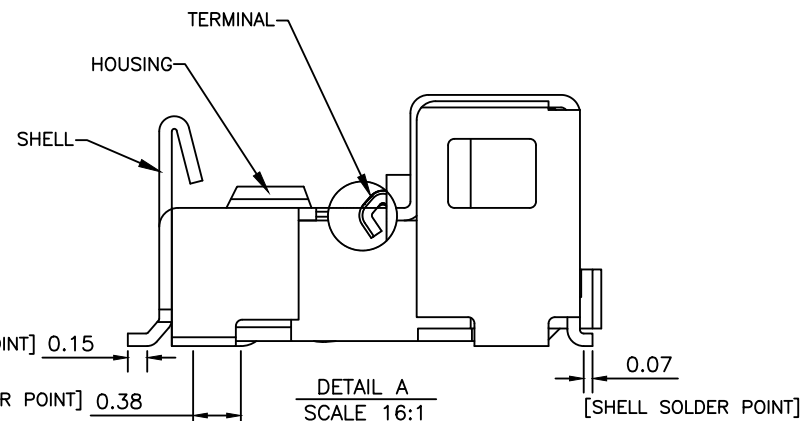
NOTES:

- MATERIAL:
 - HOUSING:LCP.
 - SHELL:PHOSPHOR BRONZE.
 - TERMINAL:CORSON ALLOY.
- FINISH:
 - TERMINAL:
 - 50~100" NICKEL PLATING OVERALL
 - P:1u" MIN GOLD PLATING OVER CONTACT AREA & GOLD FLASH OVER ALL SMT SOLDER AREA.
 - T:10u" MIN GOLD PLATING OVER CONTACT AREA & GOLD FLASH OVER ALL SMT SOLDER AREA.
 - C:15u" MIN GOLD PLATING OVER CONTACT AREA & GOLD FLASH OVER ALL SMT SOLDER AREA.
 - SHELL:
 - 50~100" NICKEL PLATING OVERALL
 - GOLD FLASH ON ALL SMT SOLDER AREA.
- REFLOW SOLDER CAPABLE TO 260°C PER ACES SPEC.
- SPEC. PLS. REFER TO PS-51495-XXXX-XXX
- PACKAGE PLS. REFER TO 51495-XXXX-XX-TRP
- PART NUMBER
51495-XXX X X-002



Other	HOUSING MATERIAL & COLOR	Halogen Free
002	LCP/BLACK.	Y

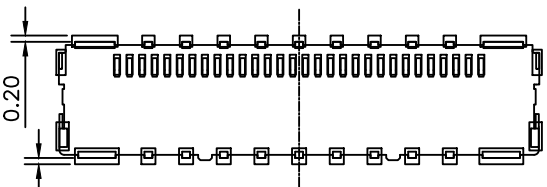
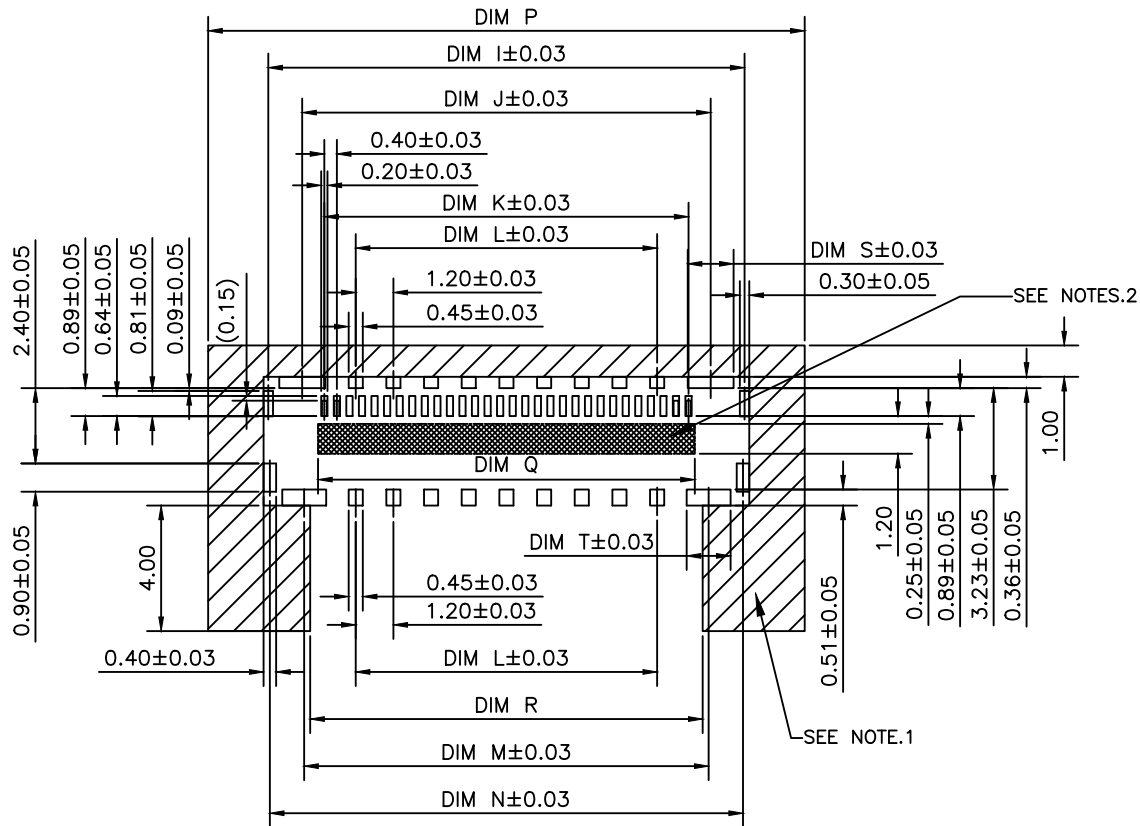
NO OF CKT _____
PACKING 0: TAPE & REEL
PLAING SEE NOTE 2.1



QUALITY SYMBOLS MAJOR Ⓢ CRITICAL Ⓢ GENERAL TOLERANCES (UNLESS SPECIFIED) X. ±0.5 .X ±0.25 .XX ±0.15 .XXX ±0.1 ANGLES ±2°	DRAWN BY Jia-Hong Xu 2023/07/11	DATE 2023/07/11		TITLE 0.4 PITCH LVDS VERTICAL TYPE RECEPTACLE		
	CHECKED BY Yuan-Huang Liu 2023/07/11	DATE 2023/07/11			UNITS mm	SIZE A4
	APPROVED BY Kuo-Hua Huang 2023/07/11	DATE 2023/07/11	SCALE 4 : 1	SHEET NO. 1 OF 2	REV A	DWG NO. 51495-xxxxx-002



CKT	DIM I	DIM J	DIM K	DIM L	DIM M	DIM N	DIM P	DIM Q	DIM R	DIM S	DIM T
20	11.17	9.41	7.60	7.20	9.28	11.07	15.00	8.00	8.50	1.06	1.00
30	15.17	13.01	11.60	9.60	12.88	15.07	19.00	12.00	12.50	1.46	1.40
40	19.17	17.01	15.60	14.40	16.88	19.07	23.00	16.00	16.50	1.46	1.40



CONNECTOR ON RECOMMENDED FOOTPRINT PATTERN

NOTES:
 1.DO NOT MOUNT ANY COMPONENTS ON THIS AREA.
 2.SOLDER RESIST SHALL BE COATED IN CASE OF RUNNING TRACE ON THIS FOOT PRINT PATTERN PROHIBITION AREA.

QUALITY SYMBOLS MAJOR CRITICAL	DRAWN BY Jia-Hong Xu 2023/07/11	
	CHECKED BY Yuan-Huang Liu 2023/07/11	
GENERAL TOLERANCES (UNLESS SPECIFIED) X. ±0.5 .X ±0.25 .XX ±0.15 .XXX ±0.1 ANGLES ±2°	APPROVED BY Kuo-Hua Huang 2023/07/11	TITLE 0.4 PITCH LVDS VERTICAL TYPE RECEPTACLE
	UNITS mm	SCALE 4 : 1
	SHEET NO. 2 OF 2	REV A
		RFG NO. N/A
		DWG NO. 51495-xxxx-002